

Piper Seneca Drawing Competition



**Design
a colour scheme
for an aeroplane**

Join the MCAST competition

MCAST
Malta College of Arts, Science & Technology
mcast.edu.mt

The Institute of Engineering and Transport within the Malta College for Arts, Science and Technology (MCAST) is launching a design competition for primary school children in Years 4, 5 and 6.

Competition criteria

To participate: Design the colour scheme for the body and wings of a Piper Seneca aeroplane. *See below the picture of this plane.*

What we are looking for: Design and colour the body and wings of the Piper Seneca aeroplane. The colour schemes of the winning entry will be used to spray paint an actual Piper Seneca aeroplane at MCAST. This will be done by MCAST students who are currently following a Diploma in Automotive Repair (Body and Paint), within the Institute of Engineering and Transport.

Choose an original and attractive colour scheme which is also practical for spray painting. These will be the main criteria used to select the competition winner.

What to submit: Colour the attached Piper Seneca diagram. Scan and submit your drawing to plannedrawing@mcast.edu.mt. Remember to attach also the data consent form and submission form with your entry.

Rules & Regulations

The competition will run from the 5 March till the 30 March 2021. Winners will be announced in April 2021, during a live event organized by MCAST, Institute of Engineering and Transport.

Who is eligible to enter?

Any student currently in Year 4, 5 and 6 is eligible to participate.

Can participants submit multiple entries?

Each participant is to submit only one entry. Participants submitting multiple entries will be disqualified.

Privacy Agreement: As parent or legal guardian of the participant, I consent to having this website store my submitted information so the competition organizers can contact me with news and updates regarding this competition. Contact may be made through email or phone.

Data Consent: I understand that by submitting an entry for this competition, I am giving explicit permission for the submitted picture, world or code to be featured on social media, together with the Name of Participant and Age. This consent does not extend to photos of Participant. In case the Participant is a winner, separate consent will be sought to provide a photo to be shared on social media.

Prizes and awards: all decisions by the judging panel are final.

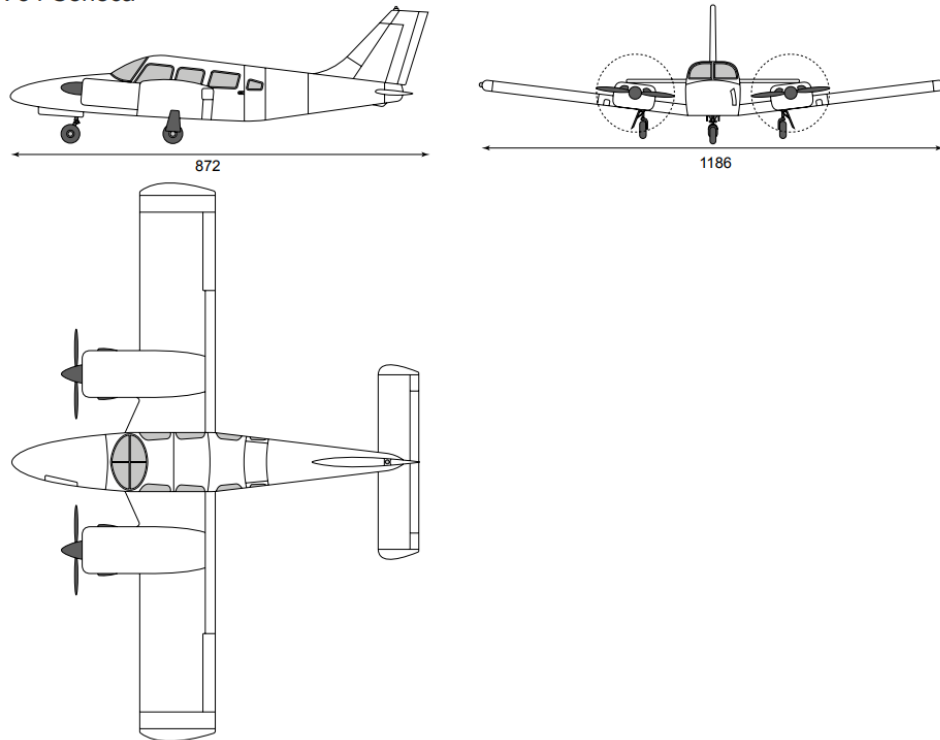
Privacy and GDPR:

Participation in this competition will require us to gather private information, such as emails and phone numbers for the purposes of contacting winners. Because of this, we will require parent, guardians, legal representatives of any students under the age of 18 to enter the competition on their behalf. On the submission form you allow us to collect private data for the purposes of contacting you in relation to this competition, and for us to publicly share their competition entries, as well as their names and ages if they win. If you do not agree with these conditions, you will not be allowed to enter the competition. The forms will have to be submitted by parents or legal guardians. Forms submitted without the explicit consent of parents or guardians will lead to immediate disqualification even in the event that the entry wins in a category.

Social Media

Prize winners may be featured in social media or other media posts or articles, and we will seek separate consent to use photos in these media.

Piper PA-34 Seneca



Scale: 1:100

All measurements in centimeters.

Submission Form

Name of Participant (Child):

First:

Last:

School of Participant:

School Year of Participant:

Age of Participant at closing date of Competition:

Name of Parent or Legal Guardian of Participant:

First:

Last:

Phone of Parent or Legal Guardian:

Email of Parent or legal Guardian:

Parent/Legal Guardian Signature

Date